

# ULTRA HIGH STRENGTH ; STEEL PLATE EDGE ABRASION RESISTANCE

## HIGH PERFORMANCE RUBBER ROLL

### TOUGH-ACE SERIES

Product of this series is featuring, based on new rubber compounding, extremely high mechanical strength, reduction of abrasion, and high chemical resistance. Its high mechanical strength has drastically enhanced the plate edge abrasion resistance, and will help to prevent occurrence of flaw. It also has made it possible to maintain the edge abrasion resistance for a long duration of time even in bad conditions in terms of chemical liquid and thermal environment, and also to prolong the cycle of rewinding the edge part with flaw of Wringer roll, for example.

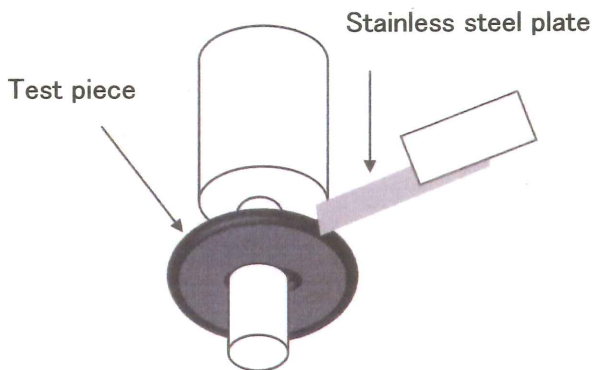
#### ○ Features of Rubber Material

##### 1. Abrasion Resistance of Steel Plate Edge

Properties	Material		Ultra Tough Ace		Universal Wringer Material	
Rubber hardness JISA	70	80	70	80	70	80
Tensile strength Mpa	24.4	28.5	33.4	37.1	23.3	22.8
Elongation at cutting %	250	230	475	360	495	320
Tear strength kN/m	46.1	49.2	54.9	63.8	59.8	58.3
Akron wear cc	0.06	0.07	0.03	0.02	0.05	0.08
Impact resilience %	39	18	34	22	40	29
※ Edge abrasion $\mu$ m	35	25	27	14	58	49

Note; Above figures are typical values, not guaranteed values

#### ■ Edge abrasion test method (In-house evaluation method)



As illustrated by the sketch at left, a stainless steel plate was pressed to a test piece, and let it revolve, so that the stainless steel plate was cut into the test piece and generated abrasion flaw